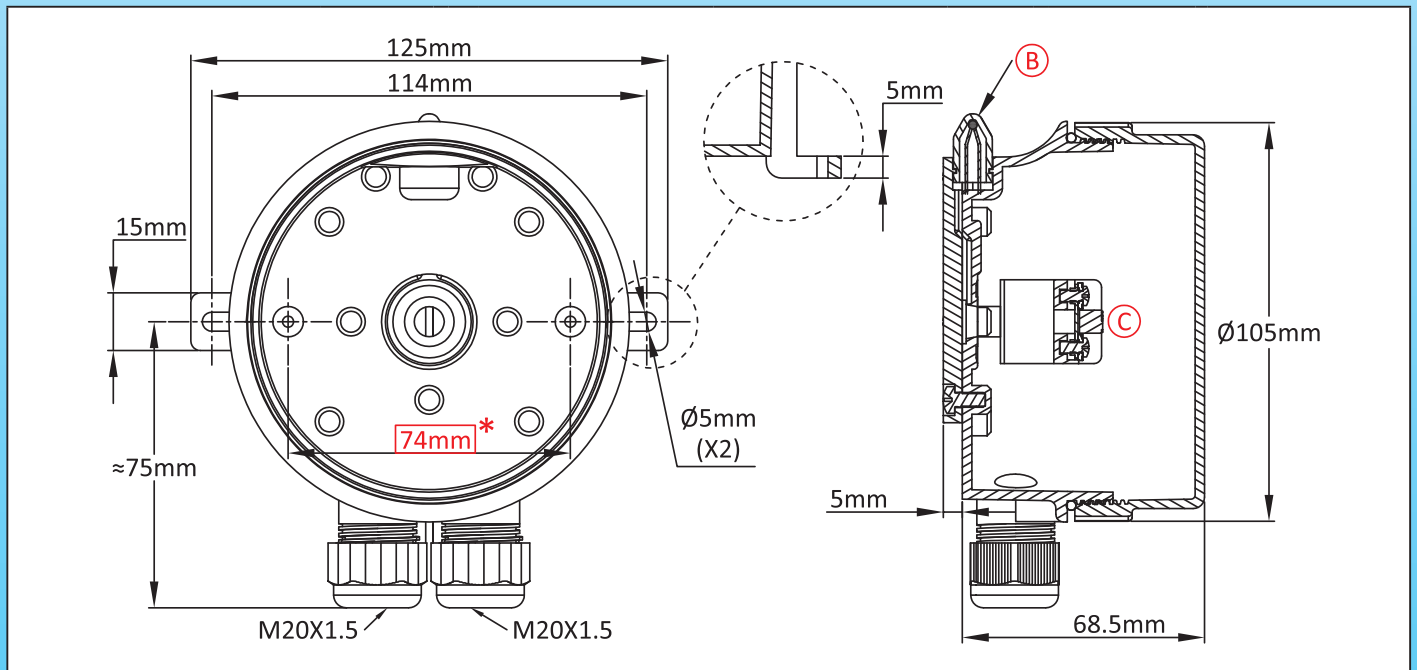


Wall mounting temperature sensor enclosure. In PA66 and polycarbonate

Size(mm)	Volume(cm ³)	Material	Protection grade		Model
Dia. 105 X 66	500	PA66 + PC	IP69K	IK10	Y3F1

Suitable for	
<input checked="" type="checkbox"/> Temperature sensor	
<input type="checkbox"/> Immersion heater	
<input type="checkbox"/> Finned heater	
<input checked="" type="checkbox"/> Thermostat	
<input type="checkbox"/> Level sensor	
<input type="checkbox"/> Electronic board	



Main references

With connection block C	Without connection block C
Y3F1000022AH400T	Y3F1000022A0000T

Links

		Page (.pdf)
		Drawing 2D (.dwg)
		Drawing 3D (.stp)

Because of permanent improvement of our products, drawings, descriptions, features used on these data sheets are for guidance only and can be modified without prior advice

Cable gland not included in these reference, consult us if you want them.
 Red dimensions inside rectangular frames on drawings are used for accessories assembly.

